

Rubix Access 6030

Model number:

106348

Dimensions: 60" x 30" x 14"

Installation: Alcove

Material: Acrylic



Standard Features:

- Alcove bathtub with integrated flat skirt and tiling flange
- Available in Above-the-Floor Rough (AFR) or not
- Low deck height of 16 in. (AFR) or 14 in.
- Antislip bottom meeting ADA, ANSI or CSA requirements
- Compliant with accessibility codes when properly installed
- Compatible with Utile wall panels

Product characteristics:

- Integrated Tiling Flange
- Maximized Bathing Well
- Textured Floor

Warranty:

25 Years

Standard colors:



White (001)

Certifications

MAAX products adhere to one or more of the following certifications:



Recommended products (Visit our website for a complete list of our recommended products)

No	Description
105409-965-170-	MIKA TUB DR 54-59 1/2 X 55 1/2 HAMMER VELO
105410-970-084-	POLAR TUB DOOR 54-59 1/2 X 57 3/8 RAINDROP CHROME
134661-900-084	KAMELEON 6MM TUB 55-59 X57 CLEAR GLASS FINISH CHROME CHROME

Options (Visit our website for a complete list of our options)

No	Description
<input type="checkbox"/> OPT 20137-001-	WASTE AND OVERFLOW WHITE

Rubix Access 6030

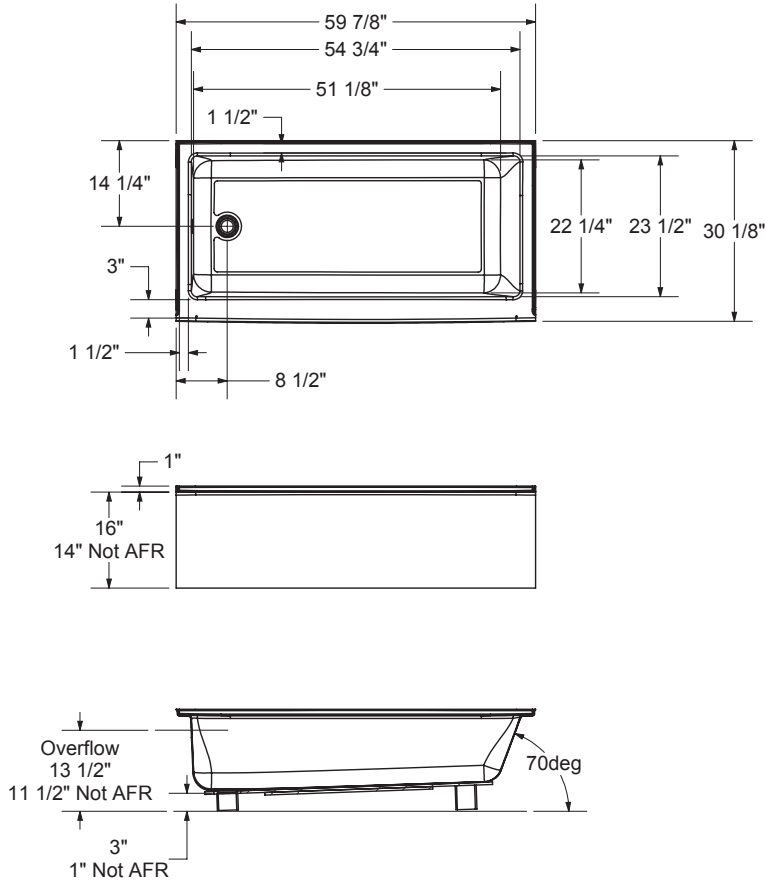
Model number:

106348

Dimensions: 60" x 30" x 14"

Installation: Alcove

Material: Acrylic



Wood support design may vary.
All dimensions are approximate. Structure measurements
must be verified against the unit to ensure proper fit.

Project:

Contractor:

Representative:

Date:

Tel:

Notes: